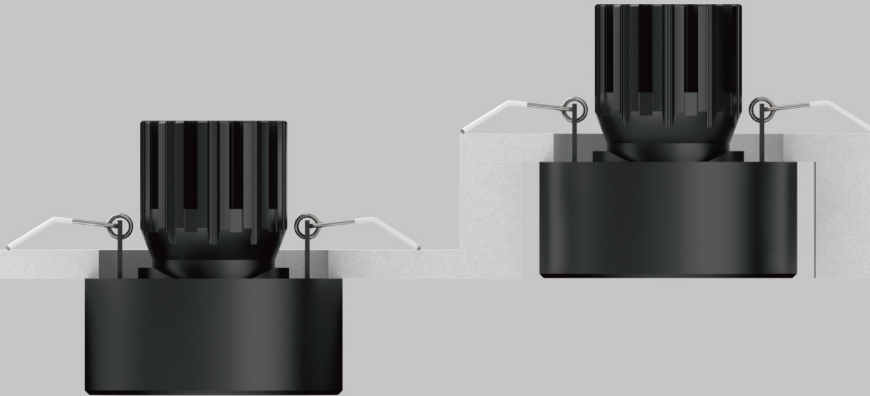


# GEEK Semi-recessed



GEEK Round



## Basic Information

Model	GK75-R11QS
Mounting	Semi-recessed
Power	Max. 15W
CCT	3000K <input type="radio"/> 3500K <input type="radio"/> 4000K <input type="radio"/>
Beam Angle	<input type="checkbox"/> 15° <input type="checkbox"/> 25° <input type="checkbox"/> 35° <input type="checkbox"/> 50°
UGR	< 13
IP Rating	IP20
Lumens	65lm/W 90lm/W
CRI	97Ra /90Ra

Driver Voltage	AC100-120V AC220-240V
Driver Options	ON/OFF DIM TRIAC/ PHASE-CUT DIM 0/1-10V

GK75-R11QS

25°/360°



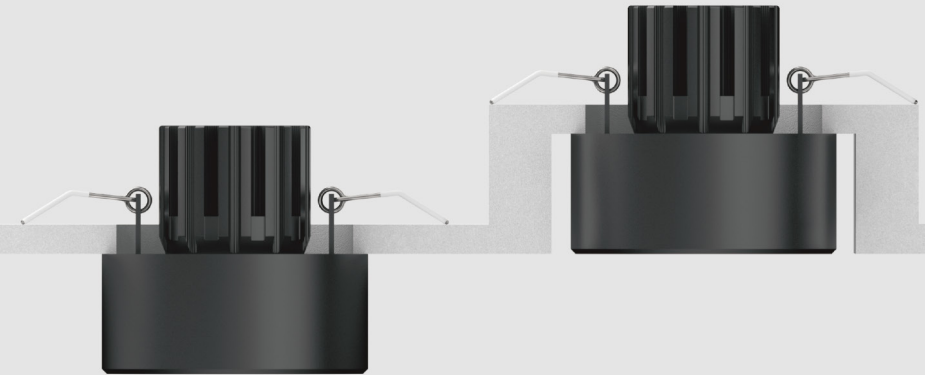
# GEEK Semi-recessed



GEEK Round IP44



Geek Family

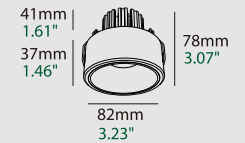


## Basic Information

Model	GK75-R14QS
Mounting	Semi-recessed
Power	Max. 15W
CCT	3000K <input type="radio"/> 3500K <input type="radio"/> 4000K <input type="radio"/>
Beam Angle	<input type="checkbox"/> 15° <input type="checkbox"/> 25° <input type="checkbox"/> 35° <input type="checkbox"/> 50°
UGR	< 16
IP Rating	IP44
Lumens	65lm/W 90lm/W
CRI	97Ra /90Ra

Driver Voltage	AC100-120V AC220-240V
Driver Options	ON/OFF DIM TRIAC/ PHASE-CUT DIM 0/1-10V

GK75-R14QS

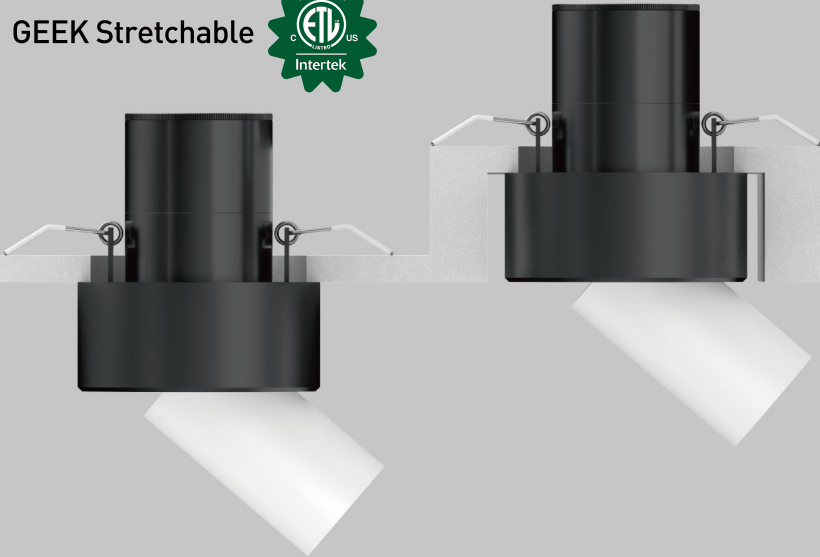


# GEEK Semi-recessed



Geek Family

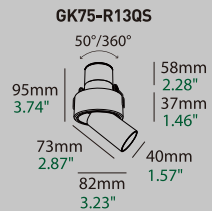
## GEEK Stretchable



### Basic Information

Model	GK75-R13QS
Mounting	Semi-recessed
Power	Max. 10W
CCT	3000K <span style="color: yellow;">●</span> 3500K <span style="color: orange;">●</span> 4000K <span style="color: white;">●</span>
Beam Angle	15°  25°
UGR	< 13
IP Rating	IP20
Lumens	65lm/W 90lm/W
CRI	97Ra /90Ra

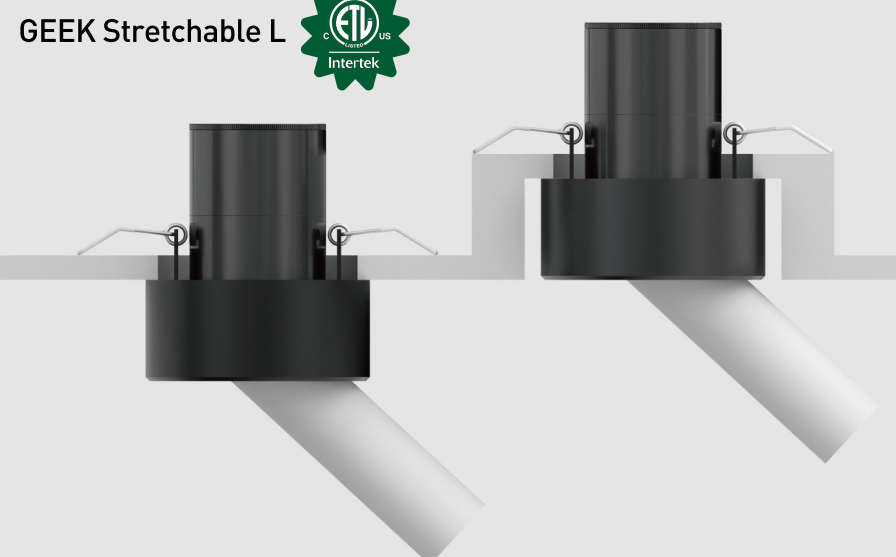
Driver Voltage	AC100-120V AC220-240V
Driver Options	ON/OFF DIM TRIAC/ PHASE-CUT DIM 0/1-10V



# GEEK Semi-recessed



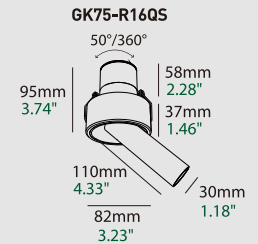
## GEEK Stretchable L



### Basic Information

Model	GK75-R16QS
Mounting	Semi-recessed
Power	Max. 8W
CCT	3000K <span style="color: yellow;">●</span> 3500K <span style="color: orange;">●</span> 4000K <span style="color: white;">●</span>
Beam Angle	15°  25°
UGR	< 9
IP Rating	IP20
Lumens	65lm/W 90lm/W
CRI	97Ra /90Ra

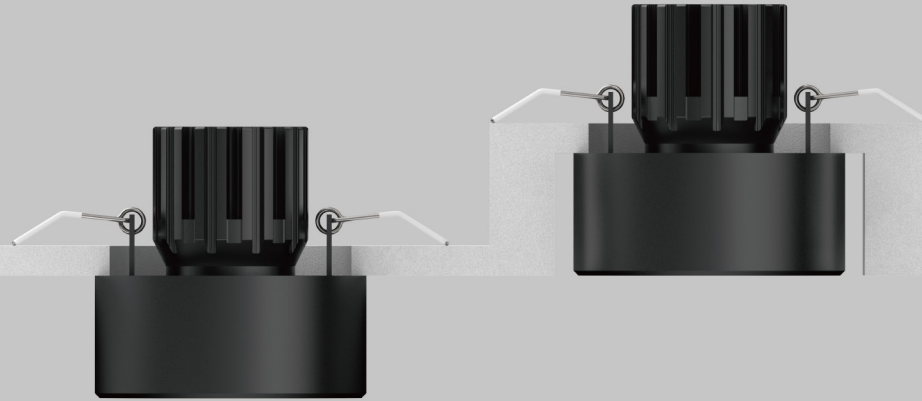
Driver Voltage	AC100-120V AC220-240V
Driver Options	ON/OFF DIM TRIAC/ PHASE-CUT DIM 0/1-10V



# GEEK Semi-recessed



## GEEK Snout



### Basic Information

Model	GK75-R15QS
Mounting	Semi-recessed
Power	Max. 15W
CCT	3000K <input type="radio"/> 3500K <input type="radio"/> 4000K <input type="radio"/>
Beam Angle	<input type="checkbox"/> 15° <input type="checkbox"/> 25° <input type="checkbox"/> 35°
UGR	< 9
IP Rating	IP20
Lumens	65lm/W 90lm/W
CRI	97Ra /90Ra

Driver Voltage	AC100-120V AC220-240V
Driver Options	ON/OFF DIM TRIAC/ PHASE-CUT DIM 0/1-10V

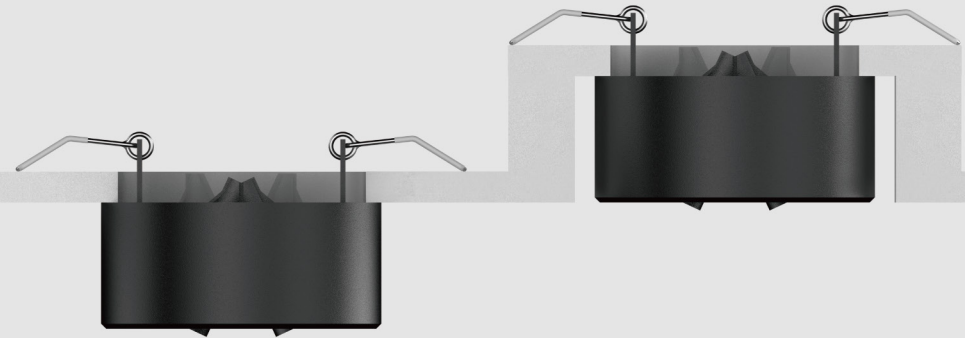
GK75-R15QS



# GEEK Semi-recessed



## GEEK Twins

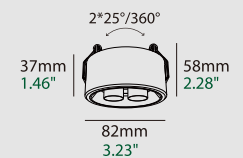


### Basic Information

Model	GK75-R18QS
Mounting	Semi-recessed
Power	Max. 8W
CCT	3000K <input type="radio"/> 3500K <input type="radio"/> 4000K <input type="radio"/>
Beam Angle	<input type="checkbox"/> 15° <input type="checkbox"/> 25°
UGR	< 13
IP Rating	IP20
Lumens	40lm/W
CRI	90Ra

Driver Voltage	AC100-120V AC220-240V
Driver Options	ON/OFF DIM TRIAC/ PHASE-CUT DIM 0/1-10V

GK75-R18QS



Geek Family